

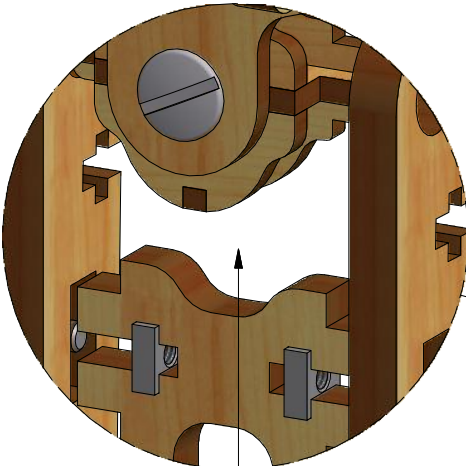
2

1

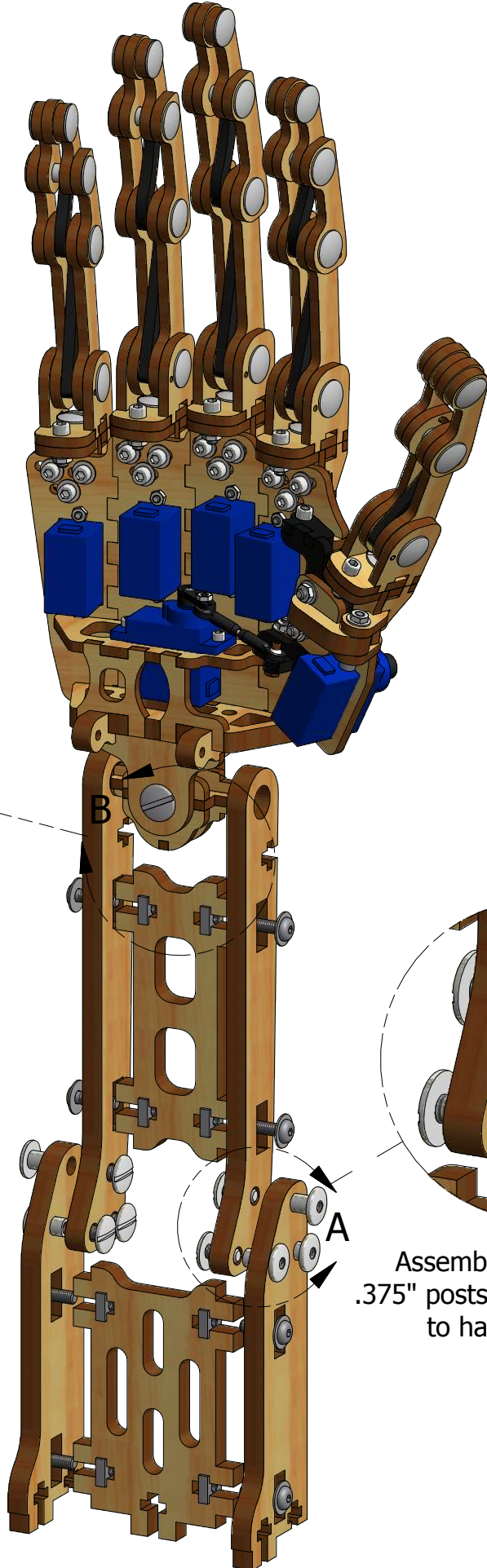
# Arm Assembly Step 1

B

B

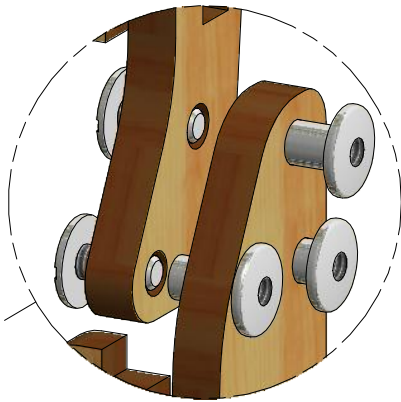


Tuck servo wires behind upper brace towards back.



A

A



Assemble both sides with .375" posts first. Then assemble to hand and braces.

2

1