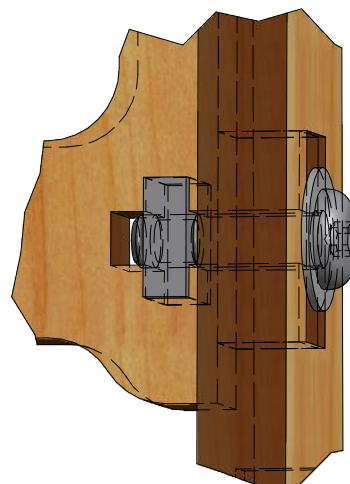
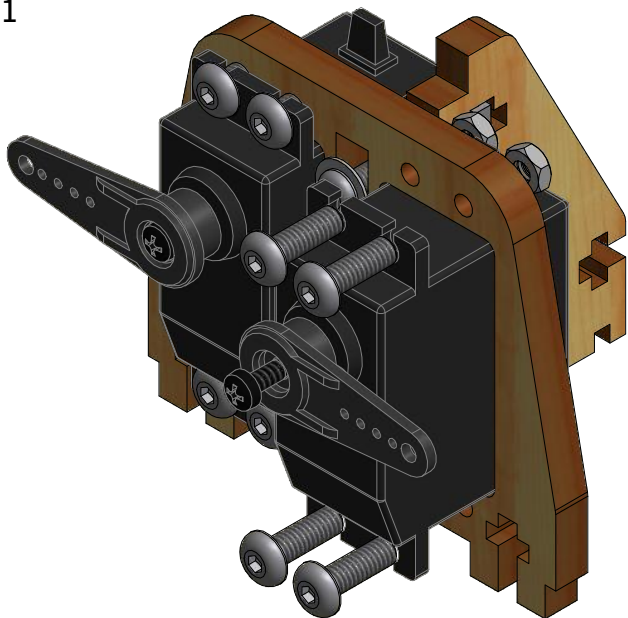
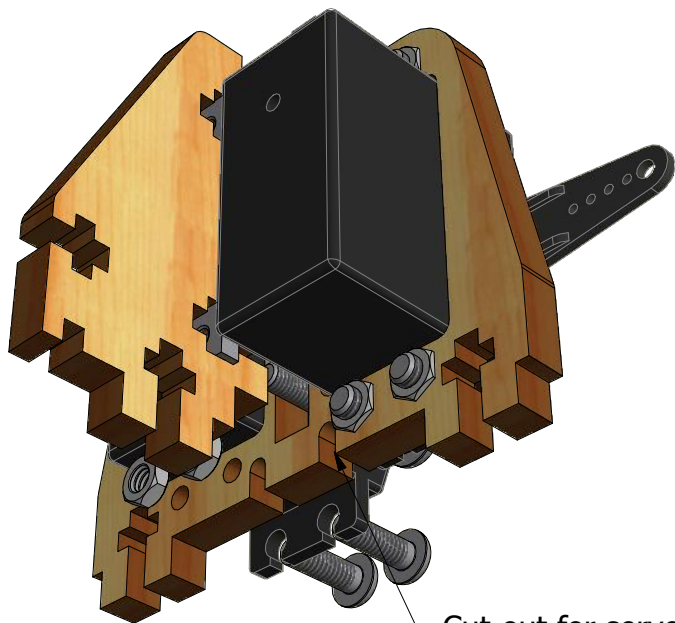


Arm Pre-Assemblies  
Scale 1:1



Detail view of  
wood tab assembly.

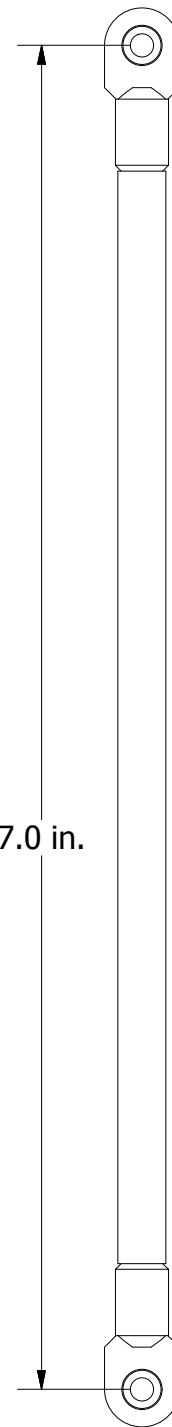


Cut-out for servo wires to pass through.



Use leftover mounting  
screws from Finger servos.  
Open holes in servo horn  
to fit screws first.  
**CAUTION**  
Screw heads strip easily!!

Servo horn only  
used in Display Kit.



7.0 in.

2

1

2

1

B

B

A

A